



**WALRUS**  
PUMP

# TPH Series

## Multistage Centrifugal Pump



**Walrus America Inc.**

20220 Hempstead Road, Suite #30, Houston, TX 77065  
Phone: 281-955-8035 Fax: 281-955-8037  
Web: [www.walrusamerica.com](http://www.walrusamerica.com)

# Content

<b>General Data</b>	<b>03</b>
<b>Performance Range</b>	<b>04</b>
<b>Technical Data</b>	
TPH 2T	05
TPH 4T	06
TPH 8T	07
TPH 12T	08
TPH 25T	09
<b>Sectional Drawing / Dimensions</b>	
TPH 2T/4T	10
TPH 8T/12T	11
TPH 25T	12

# TPH Series Multistage Centrifugal Pump

60 Hz

- Power: 0.5 - 10 HP
- Head: Up to 260 ft
- Flow: Up to 195 GPM
- Outlet: 1" - 3"
- Inlet: 1" - 3"



## Product Features

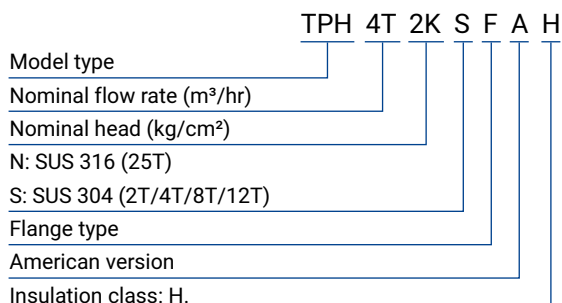
- Horizontal multi-stage centrifugal pump, non self-priming, close coupled design, impellers mounted on extended motor shaft. All rotating parts in contact with the pumped liquid are made of stainless steel.

## Applications

The TPH Series are modernly designed with quiet and high efficient operation pumps, suitable for dependable water transfer, circulating or booster service.

- Industrial circulation system
- Washing/cleaning system
- Pressure boosting system
- Water/liquid transfer
- Agricultural irrigation

## Standard Mode



## Operating limits

- Ambient Temperature: Max. 104 °F (40°C)
- Liquids Temperature: 32 °F (0°C) to 194 °F (90°C)
- Flow: 16 GPM to 195 GPM
- Head: 20 ft to 260 ft
- Operating pressure: Max. 142 psi
- Inlet pressure: Max. 85 psi

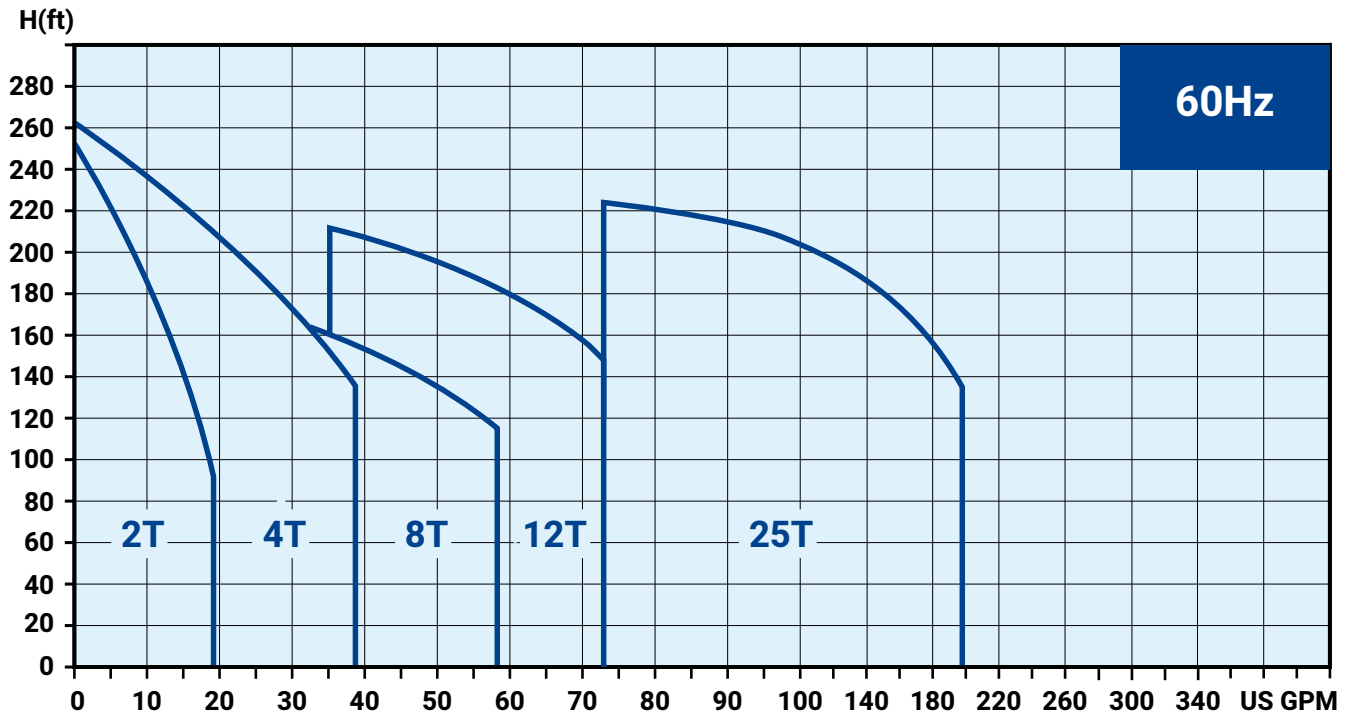
## Suitable liquids

Clean or other non-corrosive liquids

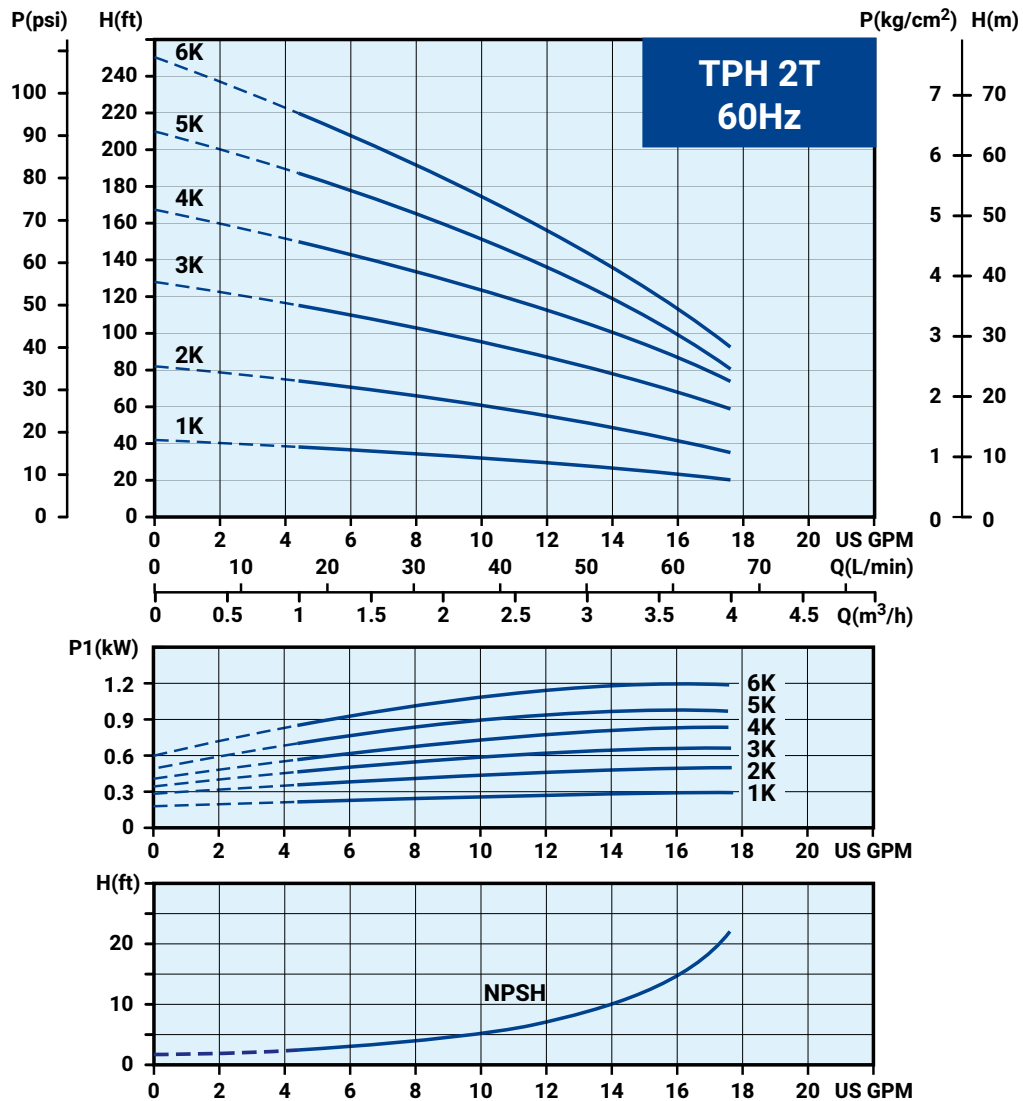
## Motor

- The pump is coupled with a totally enclosed, fan-cooled, squirrel-cage motor.
- Nominal speed: 3500 rpm at 60Hz
- Standard voltages: 1 phase: 115 / 230V  
3 phase: 230 / 460V
- Protection class: IP54
- Insulation class: F.

# Performance Curve, 60Hz



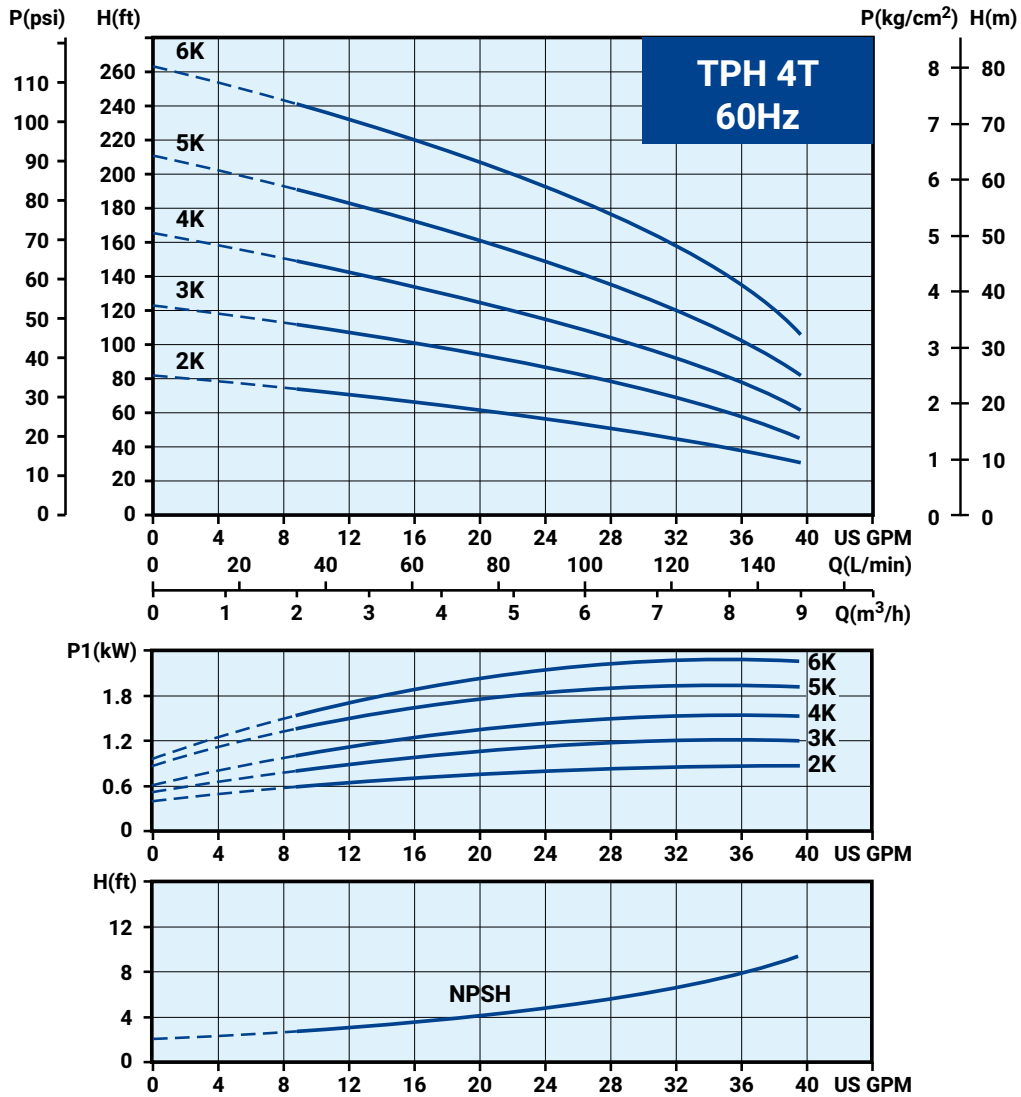
# Performance Curve



## Electrical data, 60Hz, 3500rpm

Model	Power HP	PH Ø	S.F.	Volts V	Current A	Net Weight lbs
TPH 2T 1K	½	1Ø	1.9	115 / 230	10.0 / 5.0	25.8
		3Ø	1.9	230 / 460	3.1 / 1.6	
TPH 2T 2K	½	1Ø	1.9	115 / 230	10.0 / 5.0	26.0
		3Ø	1.9	230 / 460	3.1 / 1.6	
TPH 2T 3K	½	1Ø	1.9	115 / 230	10.0 / 5.0	26.2
		3Ø	1.9	230 / 460	3.1 / 1.6	
TPH 2T 4K	½	1Ø	1.9	115 / 230	10.0 / 5.0	26.5
		3Ø	1.9	230 / 460	3.1 / 1.6	
TPH 2T 5K	¾	1Ø	1.9	115 / 230	14.8 / 7.4	29.8
		3Ø	1.9	230 / 460	4.2 / 2.1	
TPH 2T 6K	¾	1Ø	1.9	115 / 230	14.8 / 7.4	30.0
		3Ø	1.9	230 / 460	4.2 / 2.1	

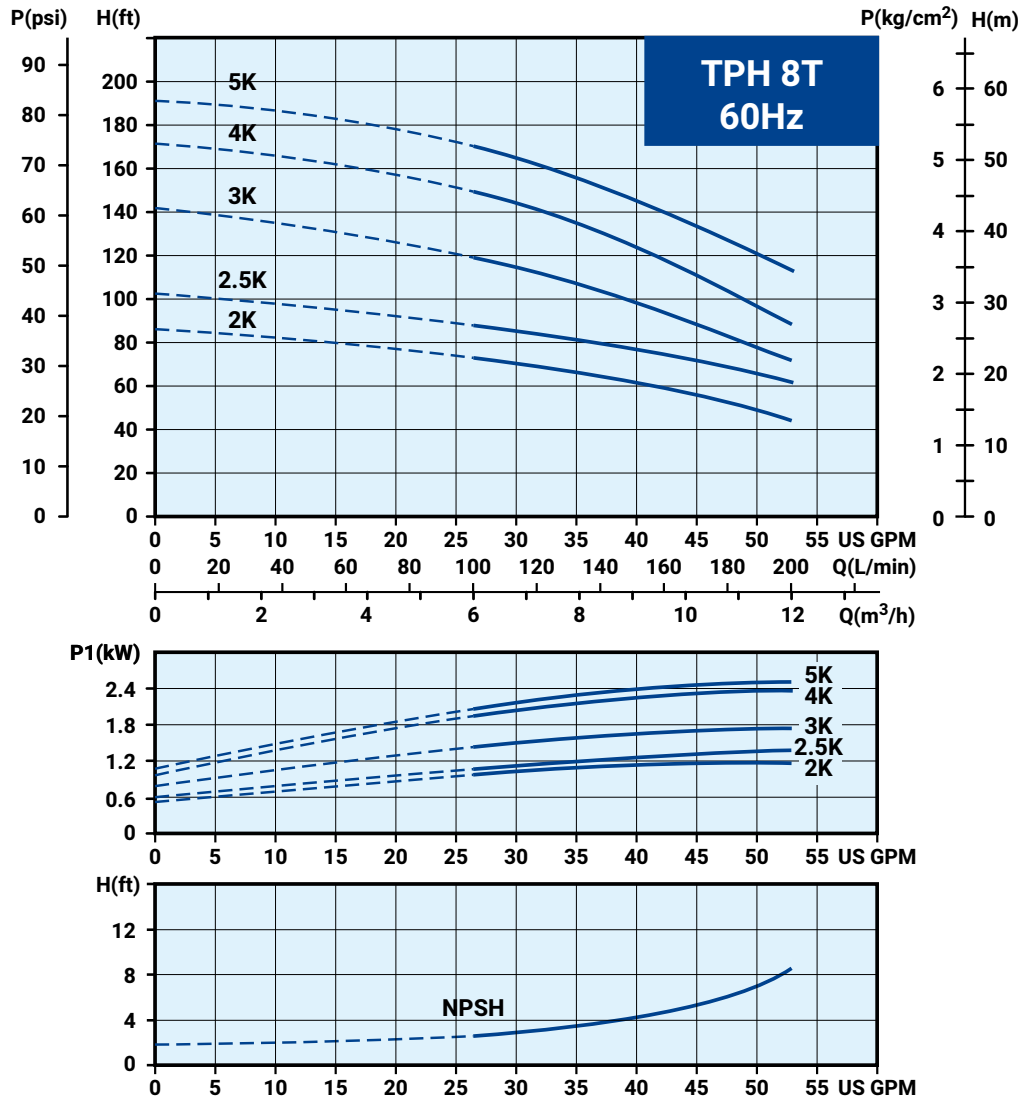
# Performance Curve



## Electrical data, 60Hz, 3500rpm

Model	Power HP	PH Ø	S.F.	Volts V	Current A	Net Weight lbs
TPH 4T 2K	½	1Ø	1.9	115 / 230	10.0 / 5.0	25.8
		3Ø	1.9	230 / 460	3.1 / 1.6	
TPH 4T 3K	¾	1Ø	1.9	115 / 230	14.8 / 7.4	29.3
		3Ø	1.9	230 / 460	4.2 / 2.1	
TPH 4T 4K	1	1Ø	1.8	115 / 230	17.2 / 8.6	31.1
		3Ø	1.9	230 / 460	5.2 / 2.6	
TPH 4T 5K	1½	1Ø	1.5	230	11.0	31.3
		3Ø	1.5	230 / 460	7.4/3.7	
TPH 4T 6K	2	3Ø	1.9	230 / 460	11.6 / 5.8	35.5

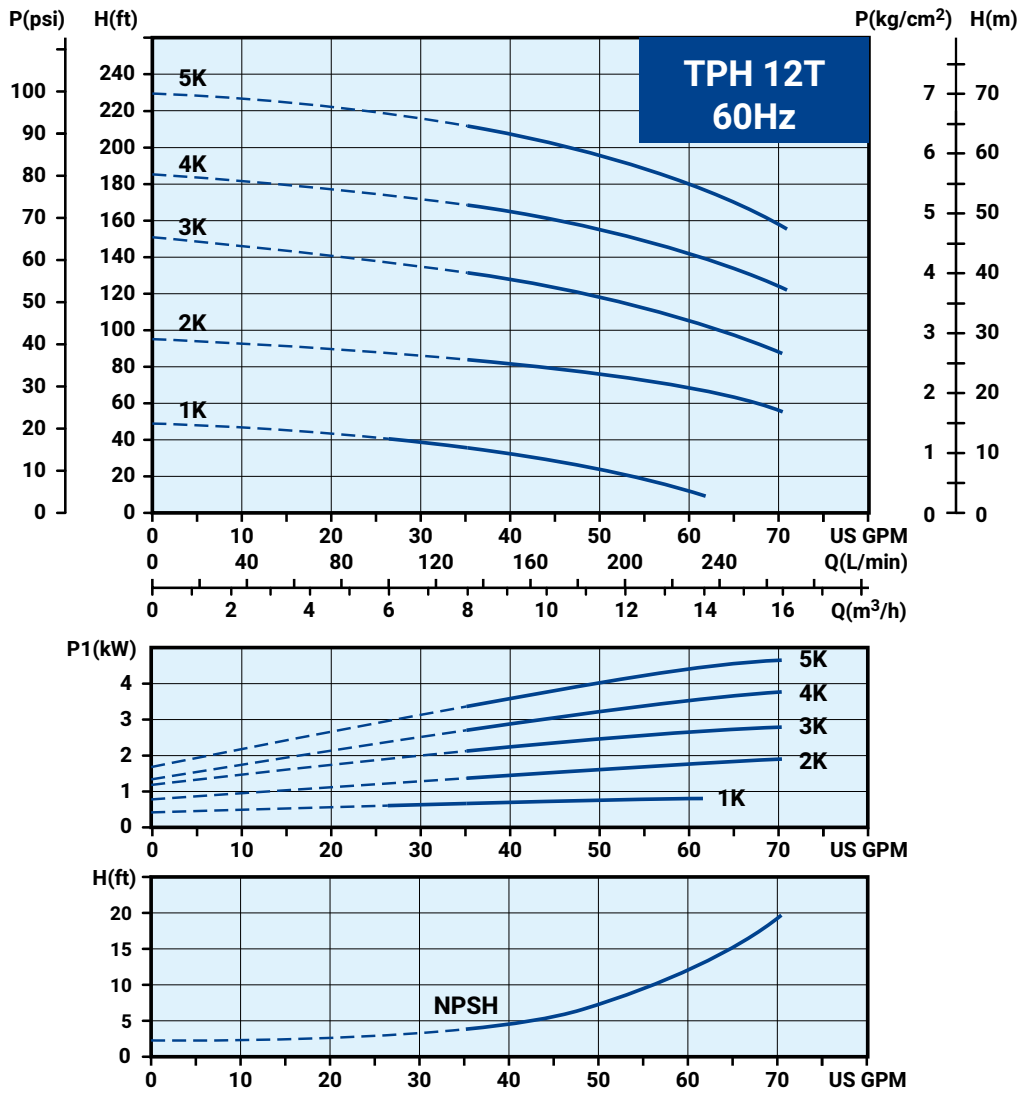
# Performance Curve



## Electrical data, 60Hz, 3500rpm

Model	Power HP	PH Ø	S.F.	Volts V	Current A	Net Weight lbs
TPH 8T 2K	¾	1Ø	1.9	115 / 230	14.8 / 7.4	41.7
		3Ø	1.9	230 / 460	4.2 / 2.1	
TPH 8T 2.5K	1	1Ø	1.8	115 / 230	17.2 / 8.6	43.0
		3Ø	1.9	230 / 460	5.2 / 2.6	
TPH 8T 3K	1½	1Ø	1.5	230	11.0	48.5
		3Ø	1.5	230 / 460	7.4 / 3.7	
TPH 8T 4K	2	3Ø	1.6	230 / 460	10.4 / 5.2	56.4
TPH 8T 5K	2	3Ø	1.6	230 / 460	10.4 / 5.2	57.5

# Performance Curve

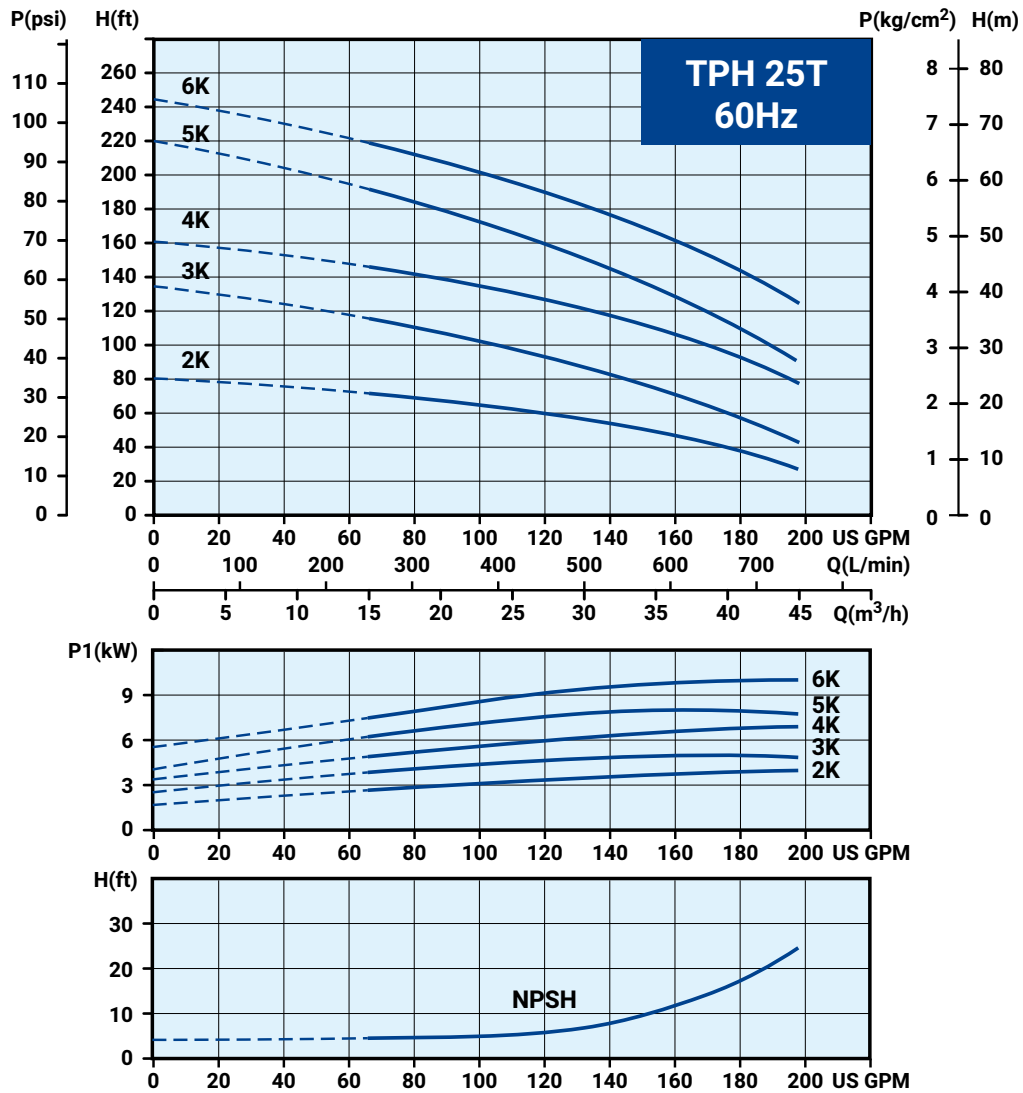


## Electrical data, 60Hz, 3500rpm

Model	Power HP	PH Ø	S.F.	Volts V	Current A	Net Weight lbs
TPH 12T 1K	½	1Ø	1.9	115 / 230	10.0 / 5.0	40.1
		3Ø	1.9	230 / 460	3.1 / 1.6	
TPH 12T 2K	1½	1Ø	1.5	230	11.0	43.4
		3Ø	1.5	230 / 460	7.4 / 3.7	
TPH 12T 3K	2	3Ø	1.6	230 / 460	10.4 / 5.2	59.5
TPH 12T 4K	3	3Ø	1.5	230 / 460	12.6 / 6.3	63.9
TPH 12T 5K	4	3Ø	1.5	230 / 460	15.6 / 7.8	79.0



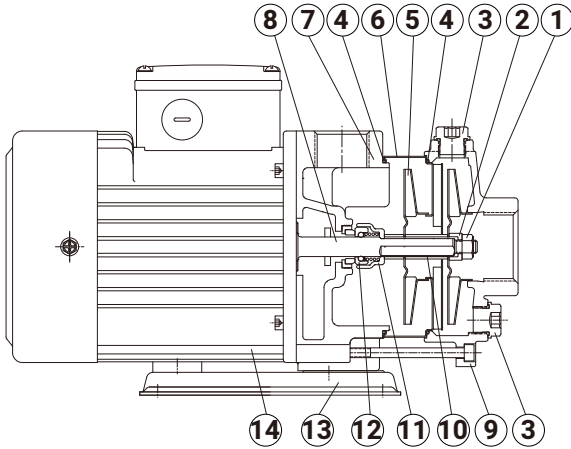
# Performance Curve



## Electrical data, 60Hz, 3500rpm

Model	Power HP	PH Ø	S.F.	Volts V	Current A	Net Weight lbs
TPH 25T 2KF	5	3Ø	1.25	230 / 460	16.6 / 8.3	112.3
TPH 25T 3KF	5	3Ø	1.25	230 / 460	16.6 / 8.3	125.1
TPH 25T 4KF	7.5	3Ø	1.45	230 / 460	27.8 / 13.9	125.6
TPH 25T 5KF	10	3Ø	1.5	230 / 460	36.6 / 18.3	151.5
TPH 25T 6KF	10	3Ø	1.5	230 / 460	36.6 / 18.3	152.0

## Sectional drawing (2T/4T)

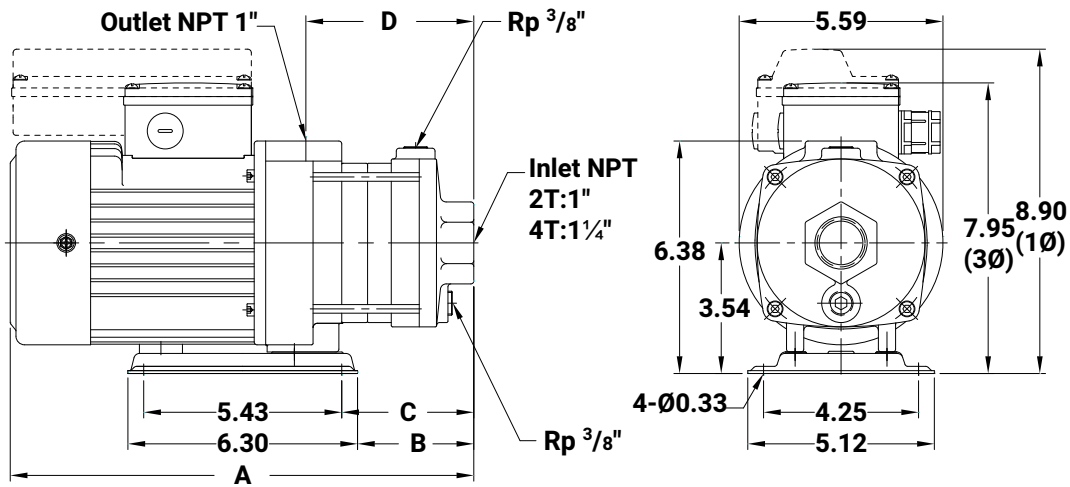


## Materials

NO.	Part Name	Material	
		Standard	S series
1	Lock Nut	SUS316	SUS316
2	Sleeve(Shaft End)	SUS316	SUS316
3	Water Plug	SUS304+HNBR	SUS304+HNBR
4	O Ring	HNBR	HNBR
5	Impeller	SUS304	SUS304
6	Intermediate Chamber	SUS304	SUS304
7	Pump Casing	FC20	SUS304
8	Shaft	SUS304	SUS304
9	Suction Chamber	FC20	SUS304
10	Sleeve	SUS304	SUS304
11	Sleeve	SUS316	SUS316
12	Mechanical Seal	SiC+HNBR	SiC+HNBR
13	Mounted Base	Coating Steel	Coating Steel
14	Motor Shell	Aluminum alloy	Aluminum alloy

SUS304 may be replaced by SUS316, depending on stock availability.

## Dimensions (2T/4T)



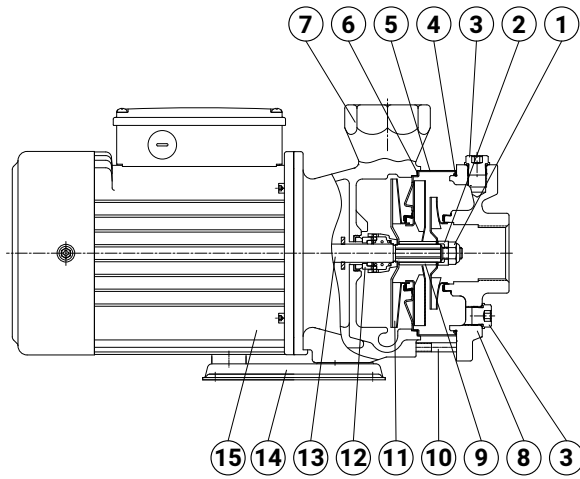
### TPH2T

Model	A in.	B in.	C in.	D in.
TPH 2T 1K	12.01	1.81	2.91	3.90
TPH 2T 2K	12.01	1.81	2.91	3.90
TPH 2T 3K	12.72	3.19	3.62	4.61
TPH 2T 4K	13.43	3.90	4.33	5.31
TPH 2T 5K	15.71	4.61	5.04	6.05
TPH 2T 6K	16.42	5.31	5.75	6.73

### TPH4T

Model	A in.	B in.	C in.	D in.
TPH 4T 2K	12.36	2.83	3.27	4.29
TPH 4T 3K	15.00	3.90	4.33	5.31
TPH 4T 4K	16.06	4.96	5.39	6.38
TPH 4T 5K	17.13	6.02	6.46	7.44
TPH 4T 6K	19.37	7.09	7.52	8.54

## Sectional drawing (8T/12T)

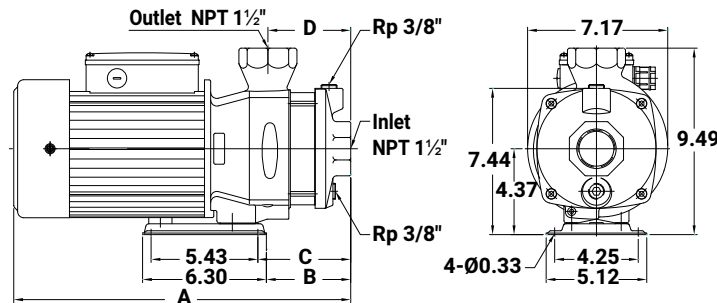


## Materials

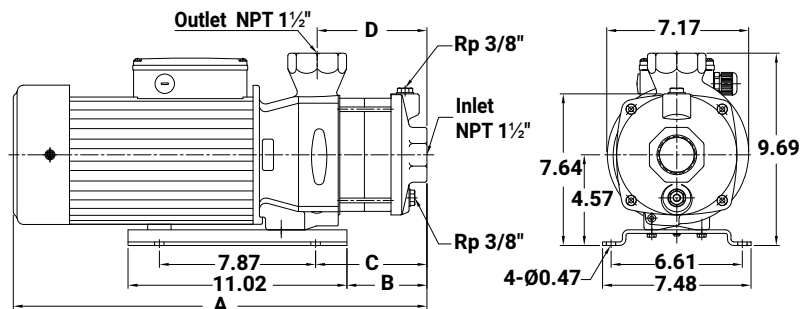
NO.	Part Name	Material	
		Standard	S series
1	Lock Nut	SUS316	SUS316
2	Sleeve(Shaft End)	SUS316	SUS316
3	Water Plug	SUS304+HNBR	SUS304+HNBR
4	O Ring	HNBR	HNBR
5	Intermediate Chamber	SUS304	SUS304
6	Gasket	Teflon	Teflon
7	Pump Casing	FC20	SUS304
8	Suction Chamber	FC20	SUS304
9	Sleeve	SUS304	SUS304
10	Stud Bolt	SUS304	SUS304
11	Impeller	SUS304	SUS304
12	Mechanical Seal	SiC+HNBR	SiC+HNBR
13	Shaft	SUS304	SUS304
14	Mounted Base	Coating Steel	Coating Steel
15	Motor Shell	Aluminum alloy	Aluminum alloy

## Dimensions (8T/12T)

### TPH 8T/12T1K~4K



### TPH12T5K



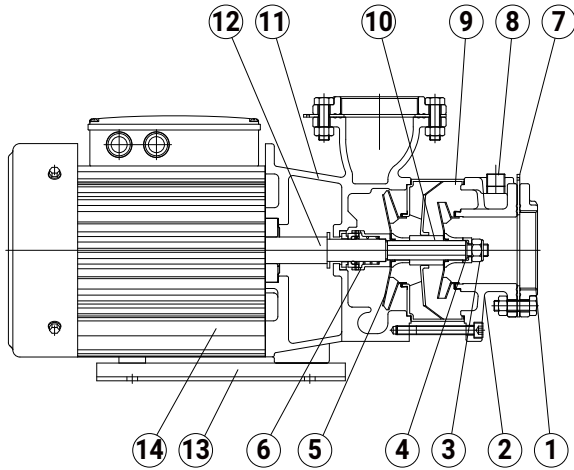
### TPH8T

Model	A in.	B in.	C in.	D in.
TPH 8T 2K	13.19	3.03	3.46	2.95
TPH 8T 2.5K	16.02	4.29	4.72	4.21
TPH 8T 3K	16.02	4.29	4.72	4.21
TPH 8T 4K	17.13	4.29	4.72	4.21
TPH 8T 5K	18.48	5.63	6.06	5.55

### TPH12T

Model	A in.	B in.	C in.	D in.
TPH 12T 1K	13.19	3.03	3.46	2.95
TPH 12T 2K	14.76	3.03	3.46	2.95
TPH 12T 3K	17.13	4.29	4.72	4.21
TPH 12T 4K	17.13	4.29	4.72	4.21
TPH 12T 5K	20.87	4.06	5.63	5.55

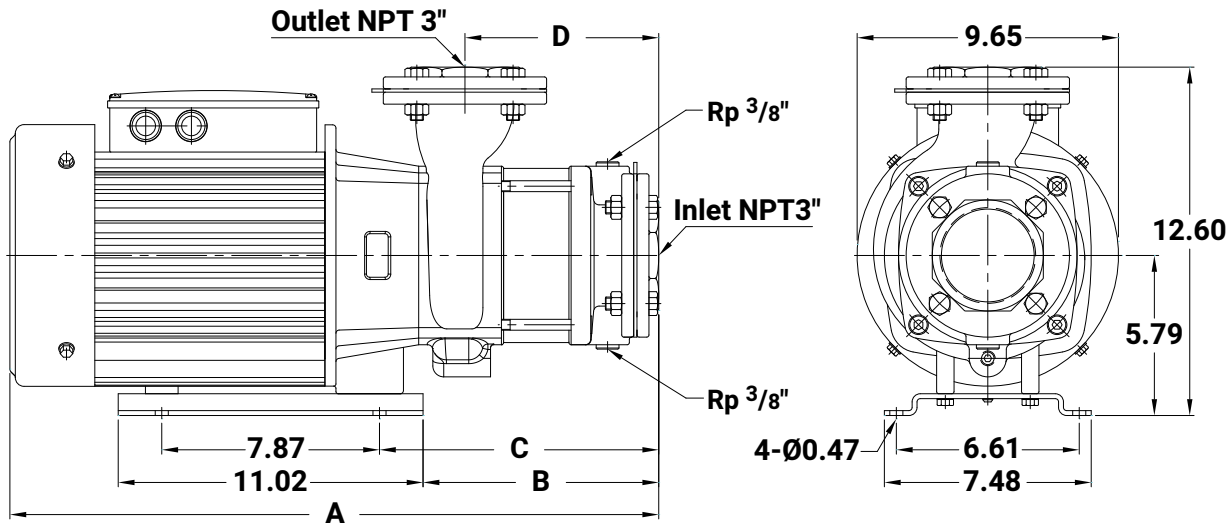
## Sectional drawing (25T)



## Materials

NO.	Part Name	Material	
		Standard	N series
1	Flange	FC 20	SUS 316
2	Suction Chamber	FC 20	SUS 316
3	Lock Nut	SUS 316	SUS 316
4	Sleeve (Shaft End)	SUS 316	SUS 316
5	Impeller	SUS 316	SUS 316
6	Mechanical Seal	SiC+SiC+HNBR	
7	Gasket	Teflon+NBR	
8	Water Plug	SUS 304	SUS 316
9	Intermediate Chamber	SUS 316	SUS 316
10	Sleeve	SUS 316	SUS 316
11	Pump Casing	FC 20	SUS 316
12	Shaft	SUS 316	SUS 316
13	Mounted Base	Coating Steel	
14	Motor Shell	Aluminum alloy	

## Dimensions (25T)



### TPH25T

Model	A in.	B in.	C in.	D in.
TPH 25T 2KF	21.16	6.24	7.81	4.72
TPH 25T 3KF	23.52	8.60	10.18	7.09
TPH 25T 4KF	23.52	8.60	10.18	7.09
TPH 25T 5KF	27.85	10.96	12.54	9.45
TPH 25T 6KF	27.85	10.96	12.54	9.45



**WALRUS**  
PUMP

## Walrus America Inc.

20220 Hempstead Road, Suite #30, Houston, TX 77065

Phone: 281-955-8035

Fax: 281-955-8037

Web: [www.walrusamerica.com](http://www.walrusamerica.com)



All specifications are subject to change without notice. TPH-US014-202408

